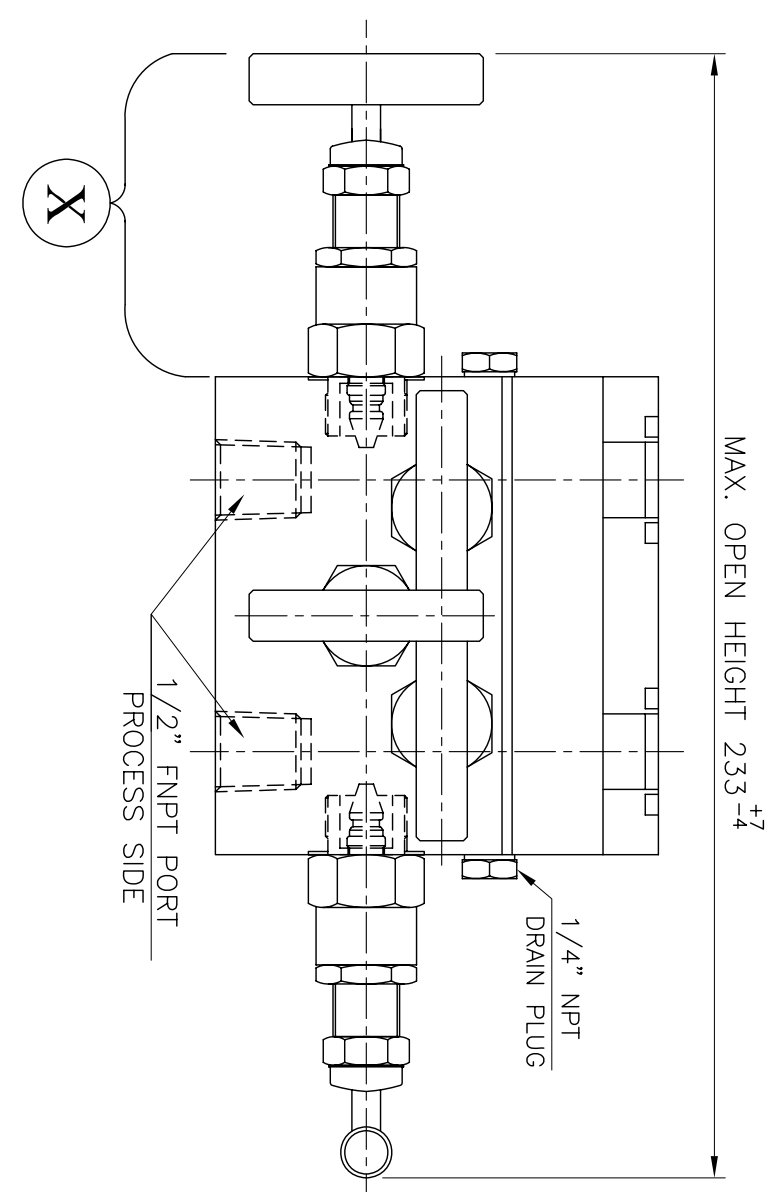
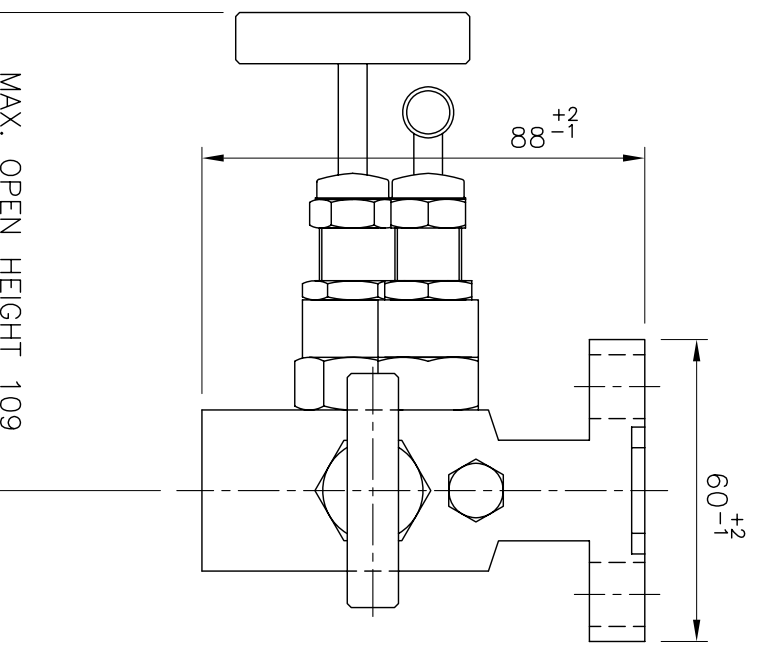


TECHNICAL SPECIFICATION

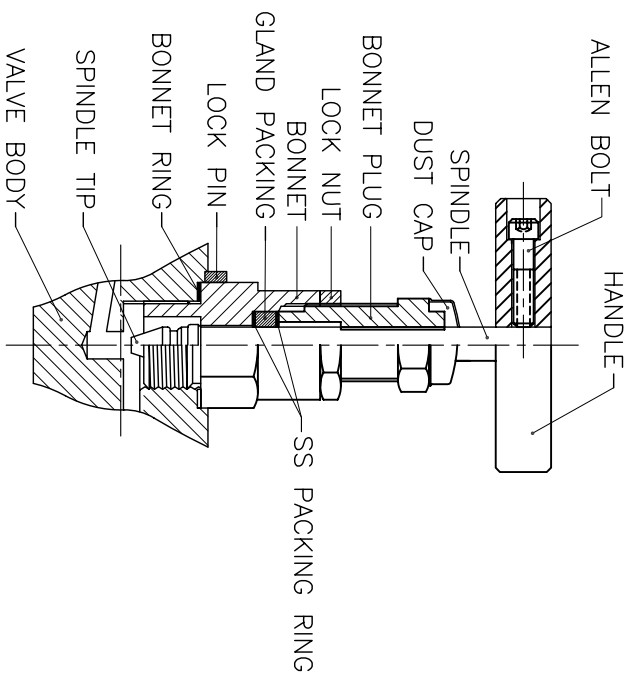
| TITLE | DESCRIPTION |
|--------------------------------|--|
| M.O.C. | BODY-ASTM A 182 F 316/316L & ALL OTHER SPARES ASTM A 479 GR.316/316L. |
| DESIGN | SCREWED BONNET |
| SPINDLE | NON-ROTATING 'V' TIP/'BALL' TIP |
| PACKING | a) PTFE AS STD UP TO MAX. 250 DEG & GRAFOIL AS OPTIONAL FOR HIGHER TEMPERATURE UP TO MAX. 648°C. |
| LOCK PIN | BONNET LOCK PIN TO PREVENT ACCIDENTAL LOOSENING |
| IDENTIFICATION | COLOUR CODED ALUMINIUM STICKERS ON EACH BONNET AS APPLICABLE FOR ISOLATION, EQUALIZER & VENT ALONGWITH STEM DUST VINYL CAPS OF CORRESPONDING COLOUR. |
| HANDLE | SS 304 BAR TYPE WITH ALLEN BOLT. |
| VISUAL FINISH | MATT FINISH / ELECTRO POLISH FINISH. |
| MARKING | LOGO/BRAND NAME MODEL NO., M.O.C, PRESSURE RATING & FLOW DIAGRAM |
| LUBRICANT | a)ANTI SEIZE - NEVER-SEEZ b)THREAD SOLVENT - LOCTITE 542 |
| THREADS | a)NPT THREAD AS PER ANSI B 2.1 b) BSPP THREAD AS PER BS 2779 c) BSPT THREAD AS PER BS21 |
| HYDRO TEST | 1.5 TIMES THE WORKING PRESSURE RATING (UPTO 1/2" - 6000 PSI & 3/4" / 1" - 3000PSI) |
| PNEUMATIC TEST | 150 PSI |
| NITROGEN TEST | 2000 PSI |
| TEST AVAILABLE UPON REQUESTS : | VIBRATION, TEMPERATURE CYCLING, HELIUM etc. |

*NOTE : ALL DIMENSIONS ARE IN MM FOR REFERENCE ONLY AND ARE SUBJECT TO CHANGE WITHOUT PRIOR INTIMATION.

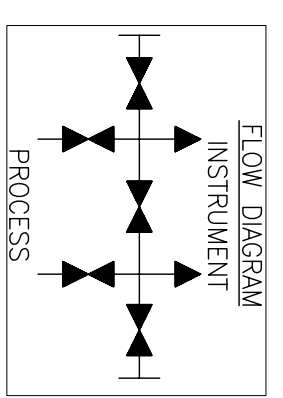
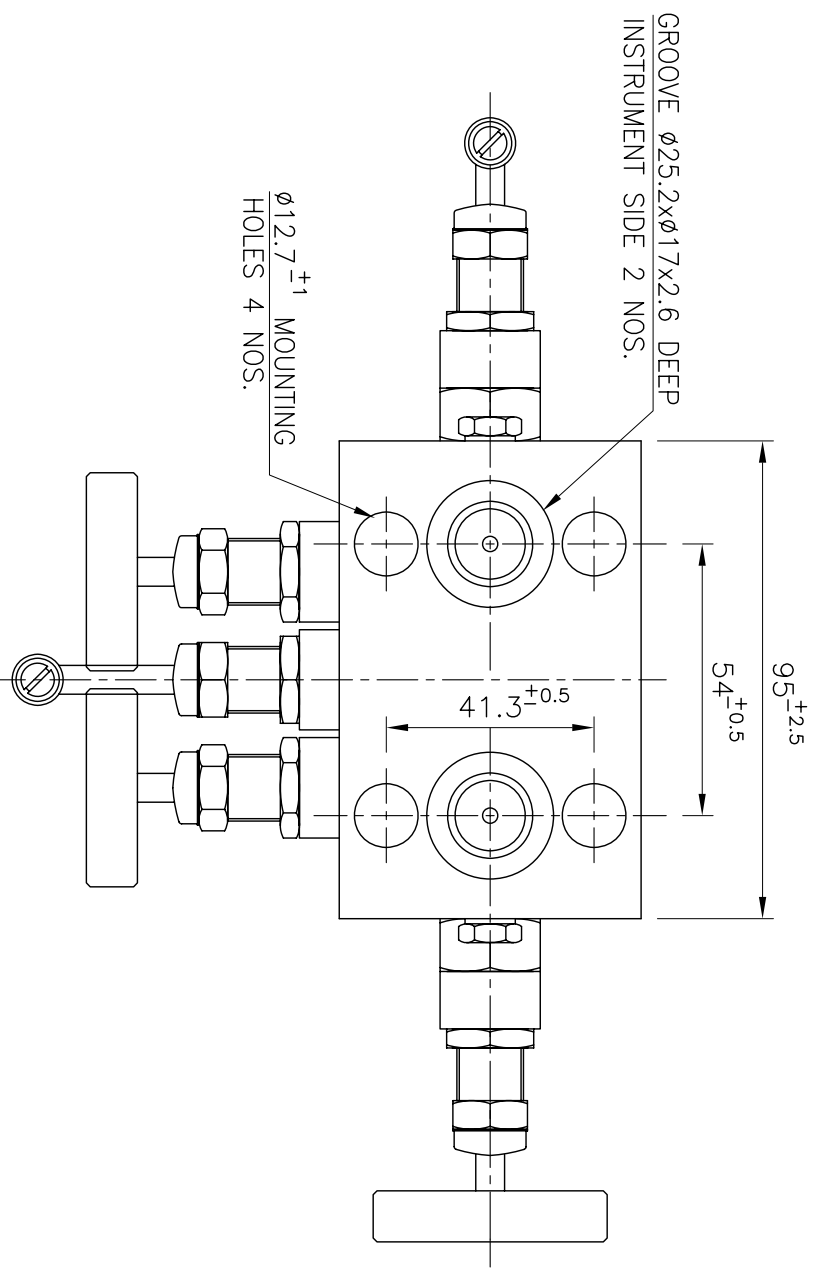
VALVES CAN BE SUPPLIED TO MEET CURENT REVISION NACE MR-01-75



PART - 'X'



DESIGN : BONNET ASSEMBLY



BAXCELL Instrument Valves & Fittings Pvt. Ltd.
(An ISO 9001:2008 COMPANY)

Title : 5 VALVE MANIFOLD DIRECT MOUNTING PIPE TO FLANGE

DRAWING/MODEL NO. : BAX-5VMT-02

SCALE : NTS **DATE :**

REV. NO. 00

DRAWN BY **CHECKED BY :** **APPROVED BY :**